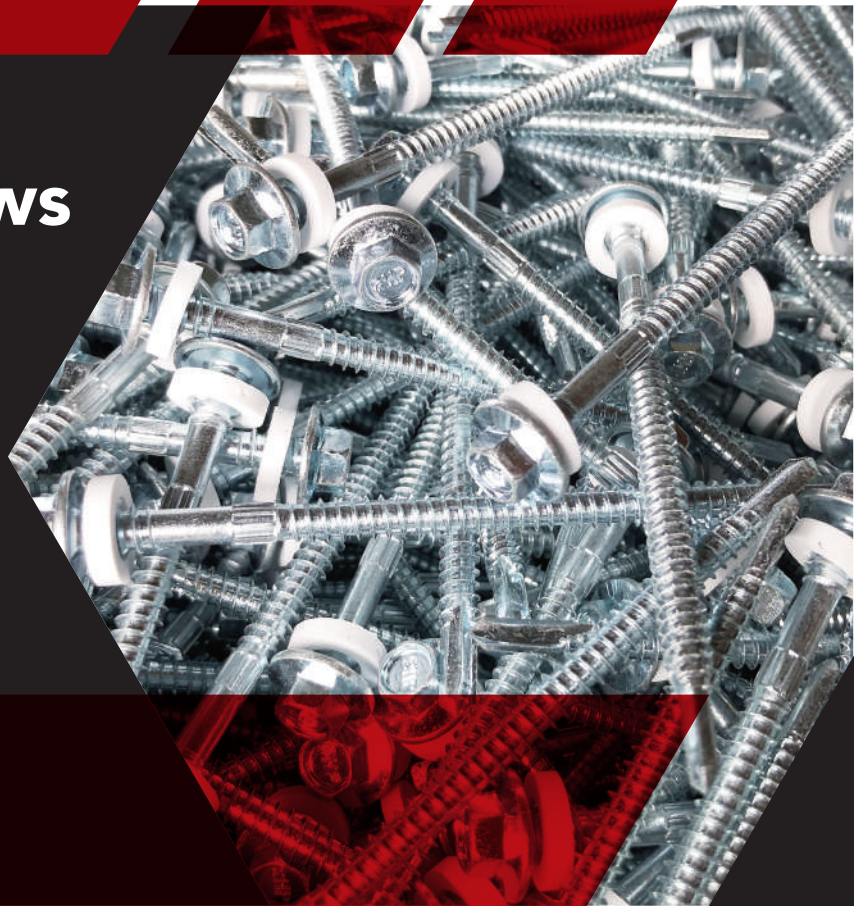


BRAND **SHP**[®]

**Self Drilling Screws
Dry Wall Screws
Accessories**



PRODUCT CATALOGUE

100% MADE IN TAIWAN

An ISO 9001:2015 Certified Company





CONTENTS

STITCHING FASTENERS

Hex Washer Head Needle Point Screw



VALLEY FIXING FASTENERS

Hex Washer Head Self-drilling Screw



VALLEY FIXING FASTENERS

Hex Flange Head Self-drilling Screw



CREST FIXING FASTENERS

Hex Flange Head Self-drilling Screw



CREST FIXING **DOUBLE THREAD**

Hex Flange Head Self-drilling Screw



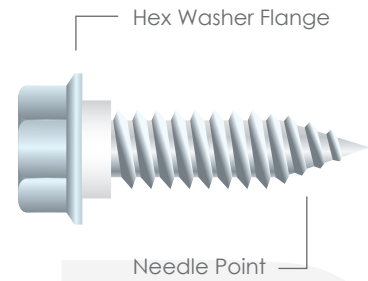
STITCHING FASTENERS

Carbon steel fasteners for fixing steel sheets into steel substrates



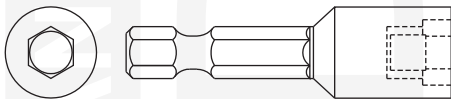
STEEL PENETRATION

Max 1.0mm thick



ADAPTER TO USE

Magnetic Hex Socket (5/16")



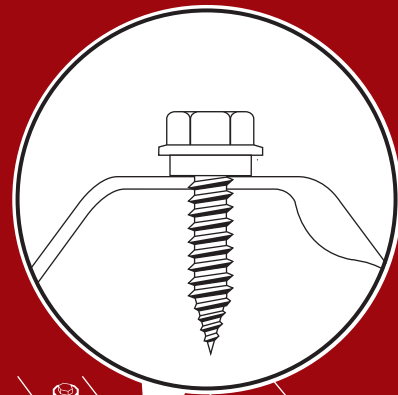
PRODUCT FEATURES

Hex Washer Flange

Needle Point

WASHER

Premium White Cut Washer



PART NUMBER

Zinc

HP-SDHST1019ZPN 10-16 x 19mm

*For size not indicated below, please contact for further information

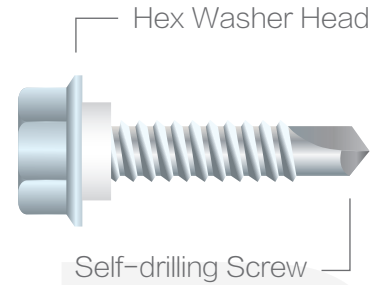
VALLEY FIXING FASTENERS

Carbon steel fasteners for fixing steel sheets into steel substrates



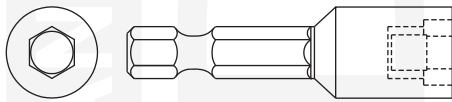
STEEL PENETRATION

Max 4.5mm thick (For #10 gauge)



ADAPTER TO USE

Magnetic Hex Socket (5/16")



PRODUCT FEATURES

Hex Washer Head

Self-drilling Screw

WASHER

Premium White Cut Washer

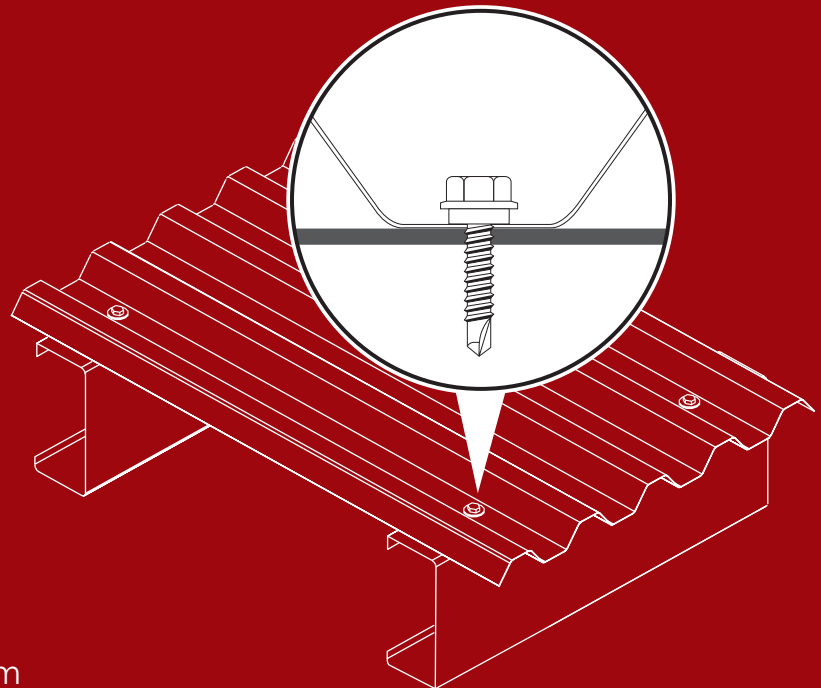


PART NUMBER

Zinc

HP-SDHC1019ZPN 10-16 x 19mm

HP-SDHC1025ZPN 10-16 x 25mm



*For size not indicated below, please contact for further information

VALLEY FIXING FASTENERS

Carbon steel fasteners for fixing steel sheets into steel substrates

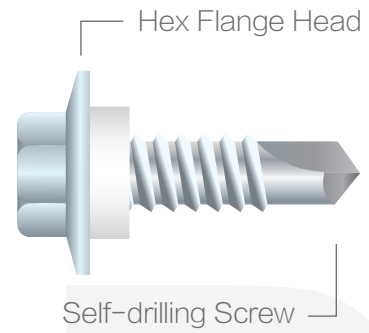
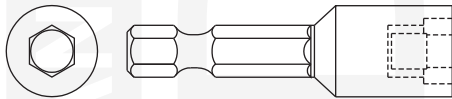
BRAND SDHP[®]

STEEL PENETRATION

Max 6.0mm thick (For #12 gauge)

ADAPTER TO USE

Magnetic Hex Socket (5/16")



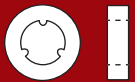
PRODUCT FEATURES

Hex Flange Head

Self-drilling Screw

WASHER

Premium White Cut Washer

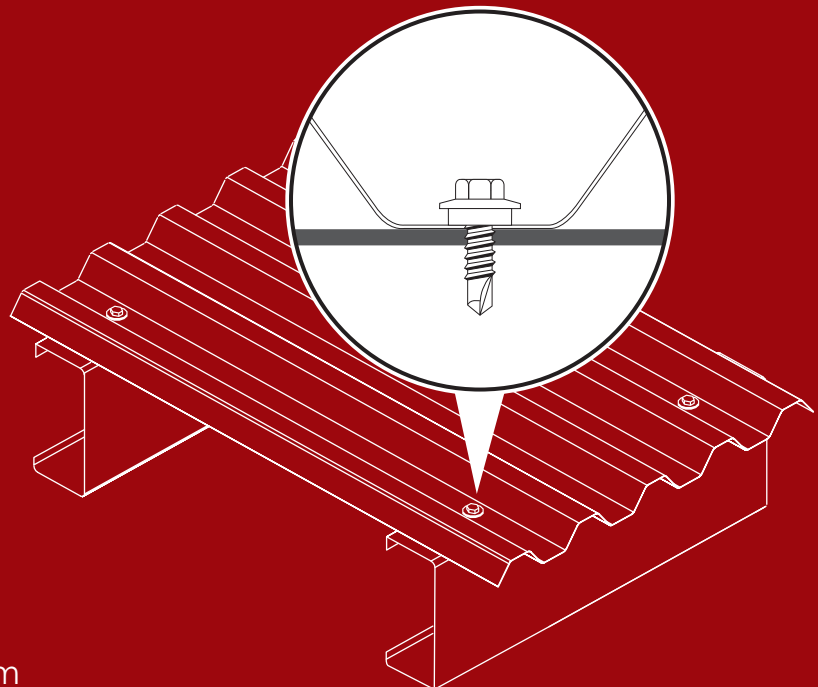


PART NUMBER

Zinc

HP-SDHC1225ZPN 12-14 x 25mm

HP-SDHC1235ZPN 12-14 x 35mm



*For size not indicated below, please contact for further information

CREST FIXING

Carbon steel fasteners for fixing steel sheets into steel substrates



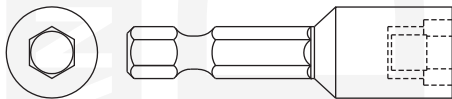
STEEL PENETRATION

Max 6.0mm thick (For #12 gauge)



ADAPTER TO USE

Magnetic Hex Socket (5/16")

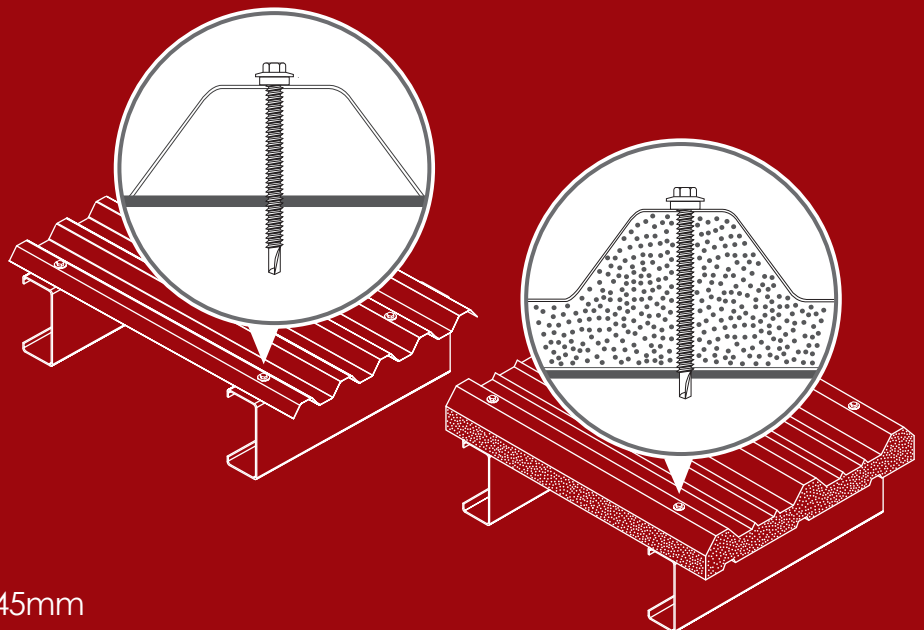
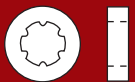


PRODUCT FEATURES

Hex Flange Head
Self-drilling Screw

WASHER

Premium White Cut Washer



PART NUMBER

Zinc

HP-SDHC1245ZPN	12-14 x 45mm
HP-SDHC1255ZPN	12-14 x 55mm
HP-SDHC1265ZPN	12-14 x 65mm
HP-SDHC1275ZPN	12-14 x 75mm
HP-SDHC1290ZPN	12-14 x 90mm

*For size not indicated below, please contact for further information

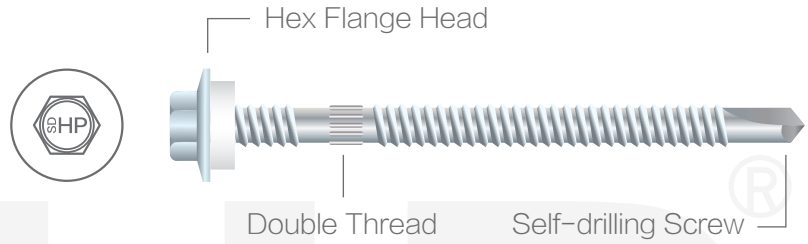
CREST FIXING **DOUBLE THREAD**

Carbon steel fasteners for fixing steel sheets into steel substrates



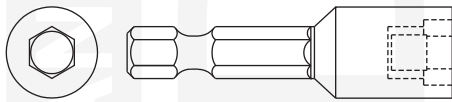
STEEL PENETRATION

Max 6.0mm thick (For #12 gauge)



ADAPTER TO USE

Magnetic Hex Socket (5/16")

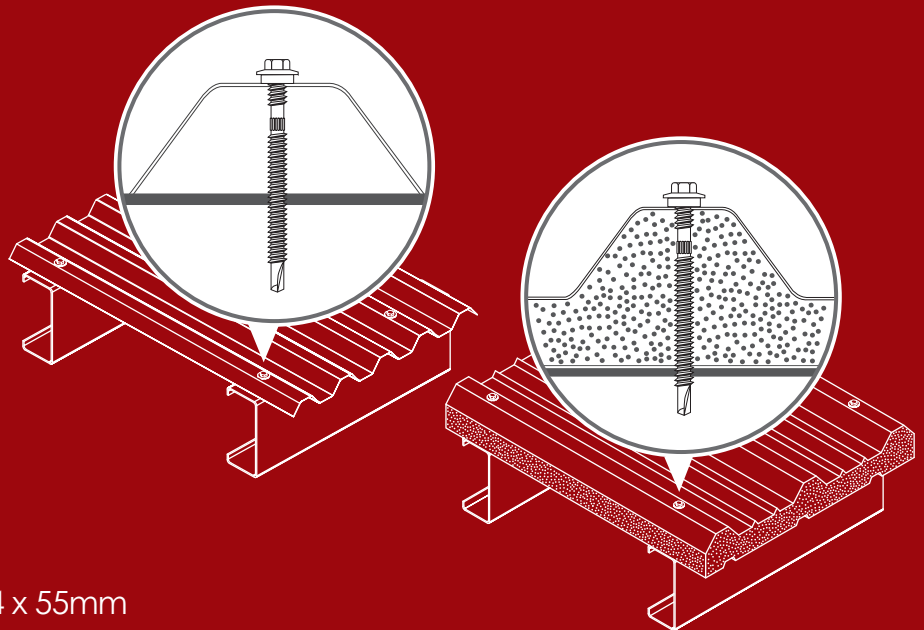


PRODUCT FEATURES

- Hex Flange Head
- Self-drilling Screw
- Double Thread

WASHER

Premium White Cut Washer



PART NUMBER

Zinc

HP-SDHCG1255ZPN	12-14 x 55mm
HP-SDHCG12100ZPN	12-14 x 100mm
HP-SDHCG12120ZPN	12-14 x 120mm

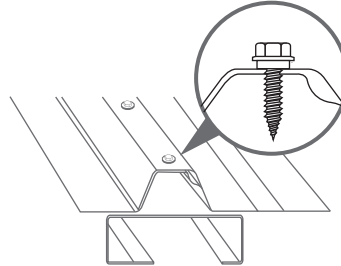
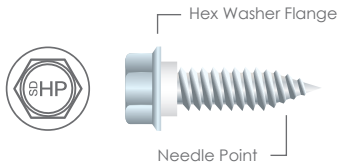
*For size not indicated below, please contact for further information

ROOFING SCREW SELECTION CHART



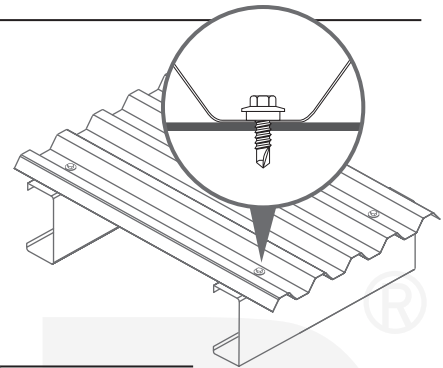
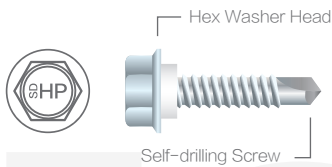
STITCHING FASTENERS

Hex Washer Head Needle Point Screw



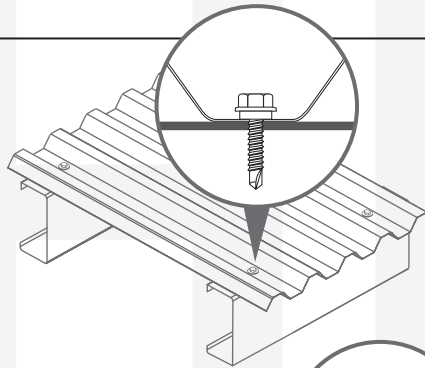
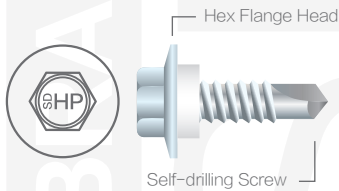
VALLEY FIXING FASTENERS

Hex Washer Head Self-drilling Screw



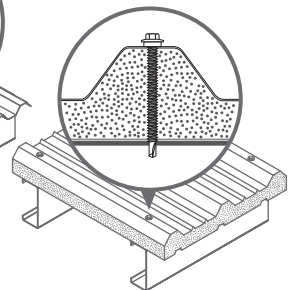
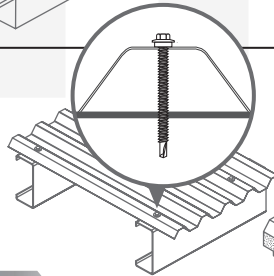
VALLEY FIXING FASTENERS

Hex Flange Head Self-drilling Screw



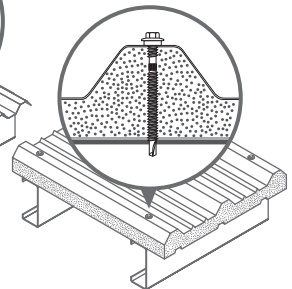
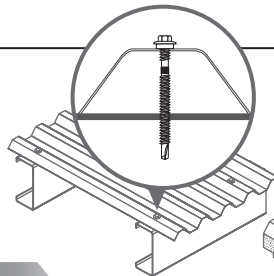
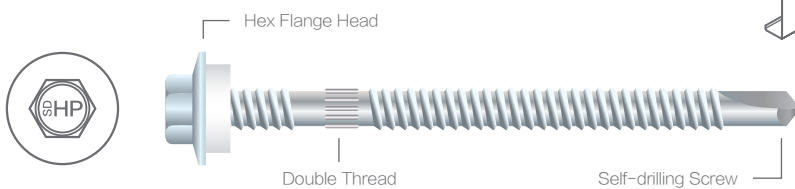
CREST FIXING FASTENERS

Hex Flange Head Self-drilling Screw



CREST FIXING DOUBLE THREAD

Hex Flange Head Self-drilling Screw



NOTE

BRAND SD **SHP**®

An ISO 9001:2015 Certified Company

SOHAN LAL GUPTA Estd.1921

D-62, SECTOR 48, NOIDA, GAUTAM BUDDHA NAGAR, UTTAR PRADESH- 201301, INDIA

☎ +91-9818166006, +91-8826176665, +91-9557771117

✉ info@screwexpert.com, romil@screwexpert.com

www.screwexpert.com

